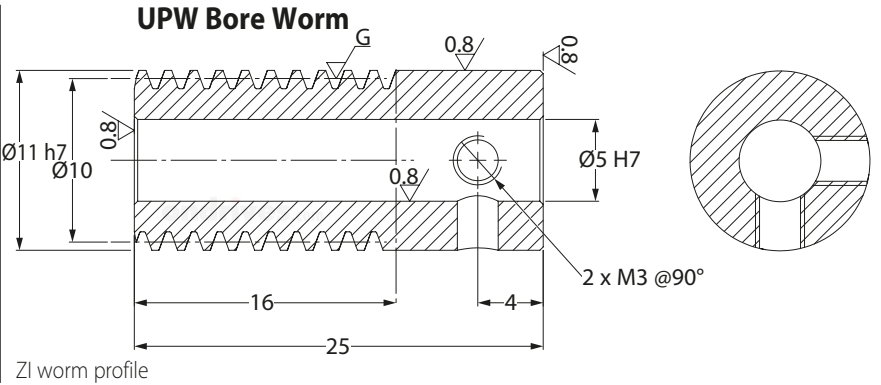


**UPW  
UPSW  
0.5m<sub>x</sub>**

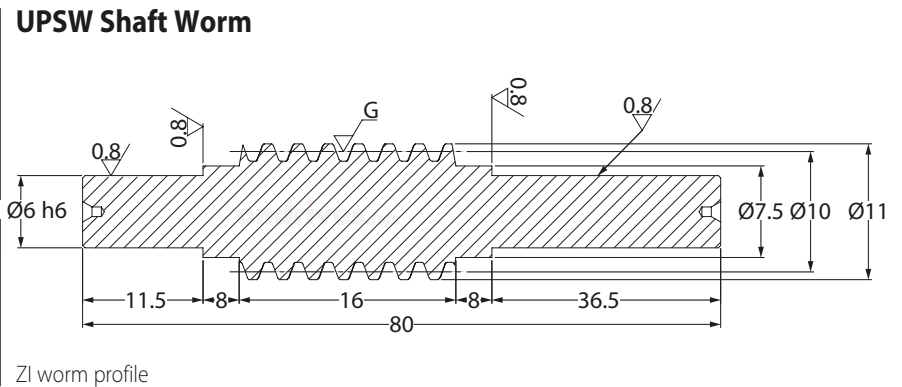
# PRECISION GEARS

## 0.5 Module Ground Worm α 20° PA

Quality Grade Worm 6e DIN 3974/58405



Case Hardened Steel 805M20		Stainless Steel 17-4PH	
Part Number	No. of Starts	Part Number	No. of Starts
<b>UPW0.5-1H</b>	1	<b>UPW0.5-1PH</b>	1
<b>UPW0.5-2H</b>	2	<b>UPW0.5-2PH</b>	2
<b>UPW0.5-3H</b>	3	<b>UPW0.5-3PH</b>	3
<b>UPW0.5-4H</b>	4	<b>UPW0.5-4PH</b>	4



Case Hardened Steel 805M20		Stainless Steel 17-4PH	
Part Number	No. of Starts	Part Number	No. of Starts
<b>UPSW0.5-1H</b>	1	<b>UPSW0.5-1PH</b>	1
<b>UPSW0.5-2H</b>	2	<b>UPSW0.5-2PH</b>	2
<b>UPSW0.5-3H</b>	3	<b>UPSW0.5-3PH</b>	3
<b>UPSW0.5-4H</b>	4	<b>UPSW0.5-4PH</b>	4

### Material

**UPW-H & UPSW-H:** 805M20 Case Hardened Steel, 58-62HRC.

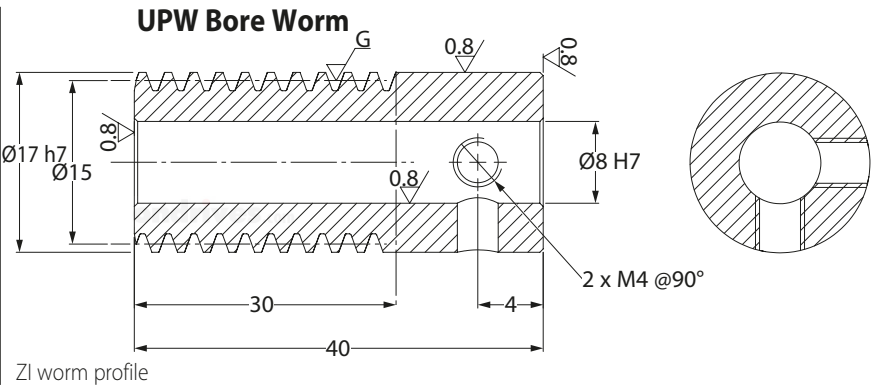
**UPW-PH & UPSW-PH:** 17-4PH Stainless Steel Condition H1025, 38-40HRC.

**UPW  
UPSW  
1.0m<sub>x</sub>**

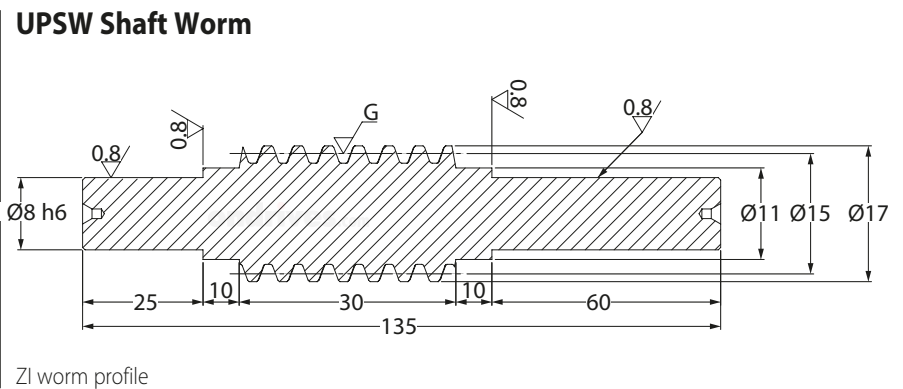
# PRECISION GEARS

## 1.0 Module Ground Worm α 20° PA

Quality Grade Worm 6e25 DIN 3974/3967



Case Hardened Steel 805M20		Stainless Steel 17-4PH	
Part Number Bore Worm	No. of Starts $Z_1$	Part Number Bore Worm	No. of Starts $Z_1$
UPW1.0-1H	1	UPW1.0-1PH	1
UPW1.0-2H	2	UPW1.0-2PH	2
UPW1.0-3H	3	UPW1.0-3PH	3
UPW1.0-4H	4	UPW1.0-4PH	4



Case Hardened Steel 805M20		Stainless Steel 17-4PH	
Part Number Shaft Worm	No. of Starts $Z_1$	Part Number Shaft Worm	No. of Starts $Z_1$
UPSW1.0-1H	1	UPSW1.0-1PH	1
UPSW1.0-2H	2	UPSW1.0-2PH	2
UPSW1.0-3H	3	UPSW1.0-3PH	3
UPSW1.0-4H	4	UPSW1.0-4PH	4

### Material

**UPW-H & UPSW-H:** 805M20 Case Hardened Steel, 58-62HRC.

**UPW-PH & UPSW-PH:** 17-4PH Stainless Steel Condition H1025, 38-40HRC.



**UPW  
UPSW  
2.0m<sub>x</sub>**

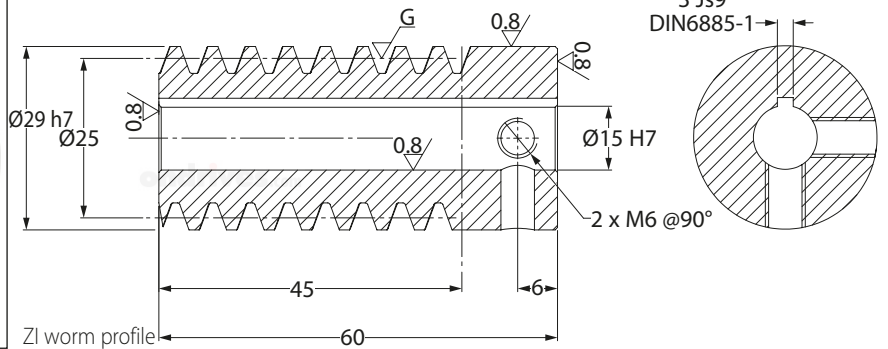
# PRECISION GEARS

## 2.0 Module Ground Worm α 20° PA

Quality Grade Worm 6e25 DIN 3974/3967



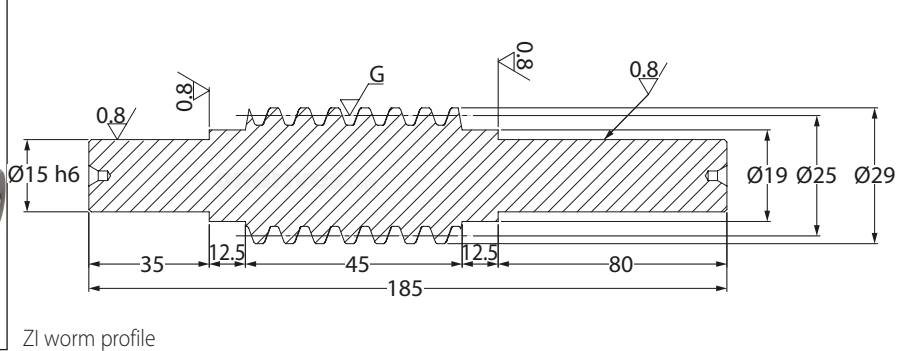
**UPW Bore Worm**



Case Hardened Steel 805M20		Stainless Steel 17-4PH	
Part Number Bore Worm	No. of Starts $Z_1$	Part Number Bore Worm	No. of Starts $Z_1$
UPW2.0-1H	1	UPW2.0-1PH	1
UPW2.0-2H	2	UPW2.0-2PH	2
UPW2.0-3H	3	UPW2.0-3PH	3
UPW2.0-4H	4	UPW2.0-4PH	4



**UPSW Shaft Worm**



Case Hardened Steel 805M20		Stainless Steel 17-4PH	
Part Number Shaft Worm	No. of Starts $Z_1$	Part Number Shaft Worm	No. of Starts $Z_1$
UPSW2.0-1H	1	UPSW2.0-1PH	1
UPSW2.0-2H	2	UPSW2.0-2PH	2
UPSW2.0-3H	3	UPSW2.0-3PH	3
UPSW2.0-4H	4	UPSW2.0-4PH	4

**Material**

**UPW-H & UPSW-H:** 805M20 Case Hardened Steel, 58-62HRC.

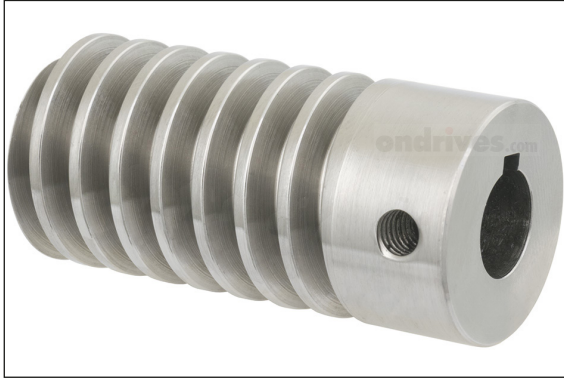
**UPW-PH & UPSW-PH:** 17-4PH Stainless Steel Condition H1025, 38-40HRC.

**UPW  
UPSW  
2.5m<sub>x</sub>**

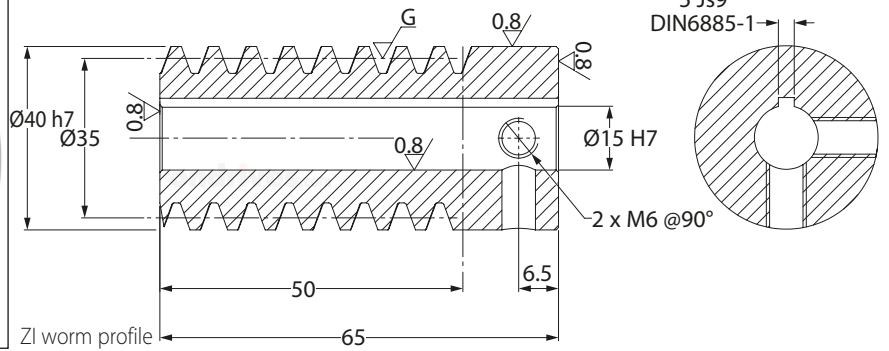
# PRECISION GEARS

## 2.5 Module Ground Worm $\alpha 20^\circ$ PA

Quality Grade Worm 6e25 DIN 3974/3967



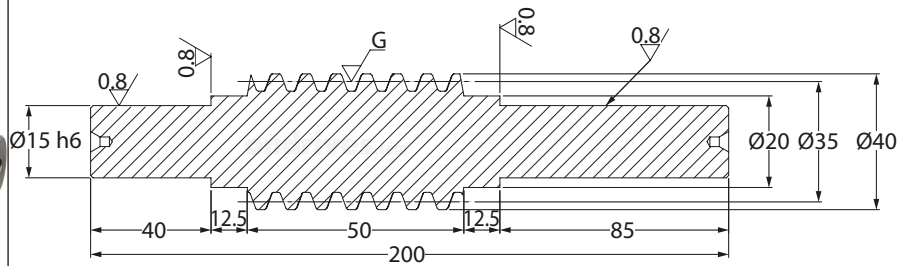
**UPW Bore Worm**



Case Hardened Steel 805M20		Stainless Steel 17-4PH	
Part Number Bore Worm	No. of Starts $Z_1$	Part Number Bore Worm	No. of Starts $Z_1$
UPW2.5-1H	1	UPW2.5-1PH	1
UPW2.5-2H	2	UPW2.5-2PH	2
UPW2.5-3H	3	UPW2.5-3PH	3
UPW2.5-4H	4	UPW2.5-4PH	4



**UPSW Shaft Worm**



Case Hardened Steel 805M20		Stainless Steel 17-4PH	
Part Number Shaft Worm	No. of Starts $Z_1$	Part Number Shaft Worm	No. of Starts $Z_1$
UPSW2.5-1H	1	UPSW2.5-1PH	1
UPSW2.5-2H	2	UPSW2.5-2PH	2
UPSW2.5-3H	3	UPSW2.5-3PH	3
UPSW2.5-4H	4	UPSW2.5-4PH	4

### Material

**UPW-H & UPSW-H:** 805M20 Case Hardened Steel, 58-62HRC.

**UPW-PH & UPSW-PH:** 17-4PH Stainless Steel Condition H1025, 38-40HRC.

**UPW  
UPSW  
3.0m<sub>x</sub>**

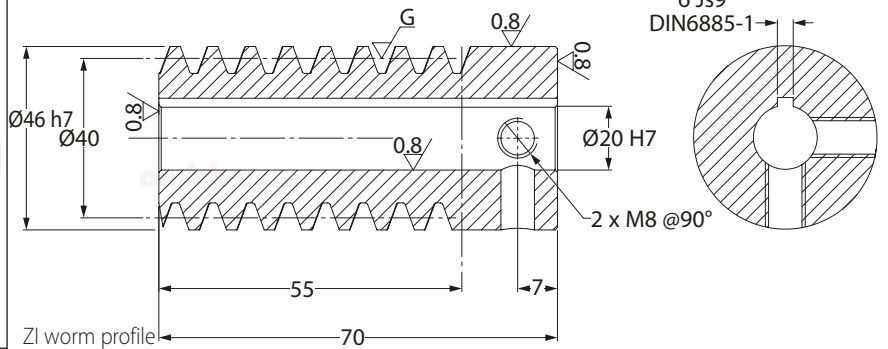
# PRECISION GEARS

## 3.0 Module Ground Worm α 20° PA

Quality Grade Worm 6e25 DIN 3974/3967



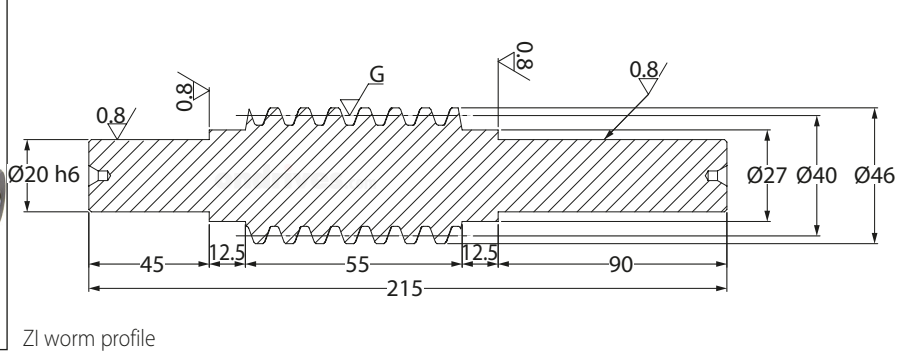
**UPW Bore Worm**



Case Hardened Steel 805M20		Stainless Steel 17-4PH	
Part Number	No. of Starts	Part Number	No. of Starts
<b>Bore Worm</b>	<b>Z<sub>1</sub></b>	<b>Bore Worm</b>	<b>Z<sub>1</sub></b>
UPW3.0-1H	1	UPW3.0-1PH	1
UPW3.0-2H	2	UPW3.0-2PH	2
UPW3.0-3H	3	UPW3.0-3PH	3
UPW3.0-4H	4	UPW3.0-4PH	4



**UPSW Shaft Worm**



Case Hardened Steel 805M20		Stainless Steel 17-4PH	
Part Number	No. of Starts	Part Number	No. of Starts
<b>Shaft Worm</b>	<b>Z<sub>1</sub></b>	<b>Shaft Worm</b>	<b>Z<sub>1</sub></b>
UPSW3.0-1H	1	UPSW3.0-1PH	1
UPSW3.0-2H	2	UPSW3.0-2PH	2
UPSW3.0-3H	3	UPSW3.0-3PH	3
UPSW3.0-4H	4	UPSW3.0-4PH	4

### Material

**UPW-H & UPSW-H:** 805M20 Case Hardened Steel, 58-62HRC.

**UPW-PH & UPSW-PH:** 17-4PH Stainless Steel Condition H1025, 38-40HRC.